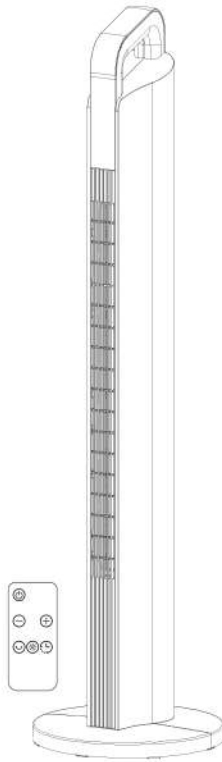




# CERAMIC TOWER HEATER

Model No: PM1570



## INSTRUCTION MANUAL

This product is only suitable for well insulated spaces or occasional use.

---

---

---

---

---

Thank you for purchasing the innovative product the PureMate ceramic tower heater. We wish you many years of healthy indoor air and warmth with this efficient and effective product.

## **SAFETY INSTRUCTIONS**

When using any electrically powered product, basic safety precautions should always be followed, including the following:

PLEASE READ ALL INSTRUCTIONS CAREFULLY BEFORE USING THE PRODUCT.

**WARNING:** To reduce the risk of fire, electrical shock or injury to persons or property:



**WARNING:** In order to avoid overheating, do not cover the heater.

- Always operate the product from a power source of the same voltage, frequency and rating as indicated on the product identification plate.
- The heater must not be located immediately below a socket-outlet.
- Remove the unit from its packaging and check to make sure it is in good condition before using.
- Do not let children play with parts of the packing ( such as plastic bags)

- This appliance can be used by children aged from 8 years and above and persons with reduced physical, sensory or mental capabilities or lack of experience and knowledge if they have been given supervision or instruction concerning use of the appliance in a safe way and understand the hazards involved. Children shall not play with the appliance. Cleaning and user maintenance shall not be made by children without supervision.
- Children of less than 3 years should be kept away unless continuously supervised.
- Children aged from 3 years and less than 8 years shall only switch on/off the appliance provided that it has been placed or installed in its intended normal operating position and they have been given supervision or instruction concerning use of the appliance in a safe way and understand the hazards involved. Children aged from 3 years and less than 8 years shall not plug in, regulate and clean the appliance or perform user maintenance.
- Do not operate any product with a damaged cord or plug, or after the product malfunctions, or is dropped or appears damaged in any way. Return the complete product to the place of purchase for inspection, repair or replacement.

- Before unplugging the power cord, be sure to turn the power off. When touching the unit, be sure your hands are dry to prevent electrical shock.
- Ensure the cord is fully extended before use and arrange it so that it is not in contact with any part of the heater.

**CAUTION:** Some parts of this product can become very hot and cause burns. Particular attention has to be given where children and vulnerable people are present. When moving, hold the heater only by the handle provided.

- Switch off and unplug from outlet when not in use, before assembling or disassembling parts and before cleaning. Remove by grasping the plug - do not pull on the cord.
- A common cause of overheating is deposits of dust and fluff entering the heater. Ensure these deposits are removed regularly by unplugging the heater, allowing it to cool and cleaning as described in the Care, Cleaning and Storage section.
- Be sure that no other high current appliances are plugged into the same circuit with your heater as an overload can occur.
- Avoid the use of an extension cord as the extension cord may overheat and cause a risk of fire.

- Do not use the appliance for other than its intended use.
- Do not use outdoors. FOR INDOOR USE ONLY.
- Do not leave the appliance unattended when switched on.
- Do not place objects on the product or allow objects to obstruct the inlet or outlet openings, or operate in close proximity to walls or curtains, etc. Do not cover the unit when in operation.

**CAUTION:** In order to avoid a hazard due to inadvertent resetting of the thermal cut-out, this appliance must not be supplied through an external switching device, such as a timer, or connected to a circuit that is regularly switched on and off by the utility.

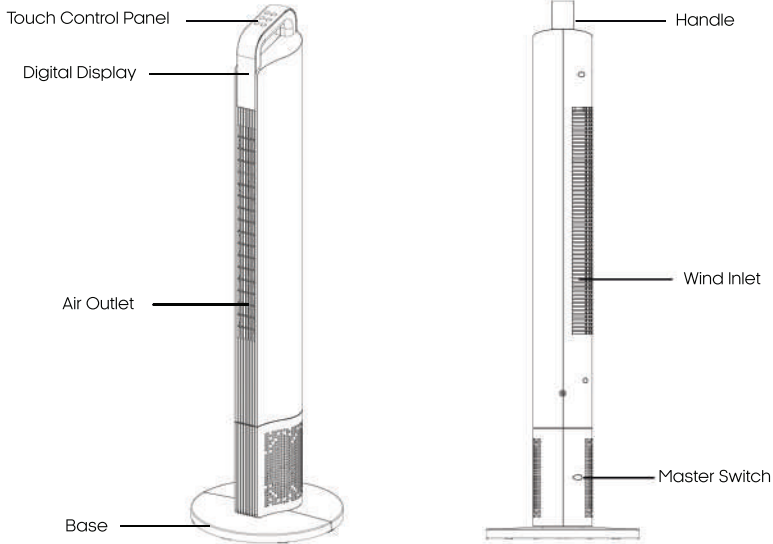
- Do not locate the heater immediately below a socket-outlet.
- The use of attachments or accessories not recommended or sold by the product distributor may cause personal or property hazards or injuries.

- This product is intended for normal domestic/household use only.
- Use this heater as described in this manual. Any other uses, not recommended by the manufacturer, may cause fire, electric shock, or injury to persons and may void the warranty.
- Use only an approved extension cord that is suitable for the appliance rating!
- The use of attachments or accessories not recommended or sold by the product distributor may cause personal or property hazards or injuries.
- This product is intended for normal domestic/household use only.
- Use this heater as described in this manual. Any other uses, not recommended by the manufacturer, may cause fire, electric shock, or injury to persons and may void the warranty.
- Use only an approved extension cord that is suitable for the appliance rating!

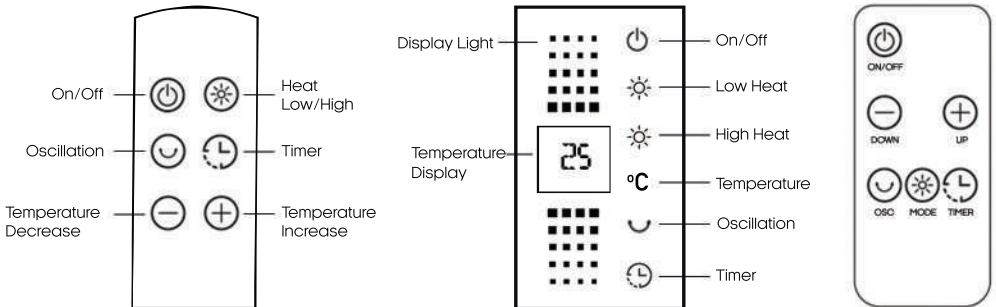
- Use only an approved extension cord that is suitable for the appliance rating!
- The appliance should be placed with a minimum distance of 90 cm away from flammable objects (e.g. curtains), walls or other structures!
- Do not lay the cord under a carpet. Do not lay rugs, mats or similar articles on it. Position the cord so that it does not pose an obstruction or a tripping hazard.
- Never pull the plug out of the socket at the cord!
- Always disconnect the mains plug when the appliance is not in use.

**Attention!** The appliance may only be used for normal domestic use and not for industrial purpose.

# COMPONENTS

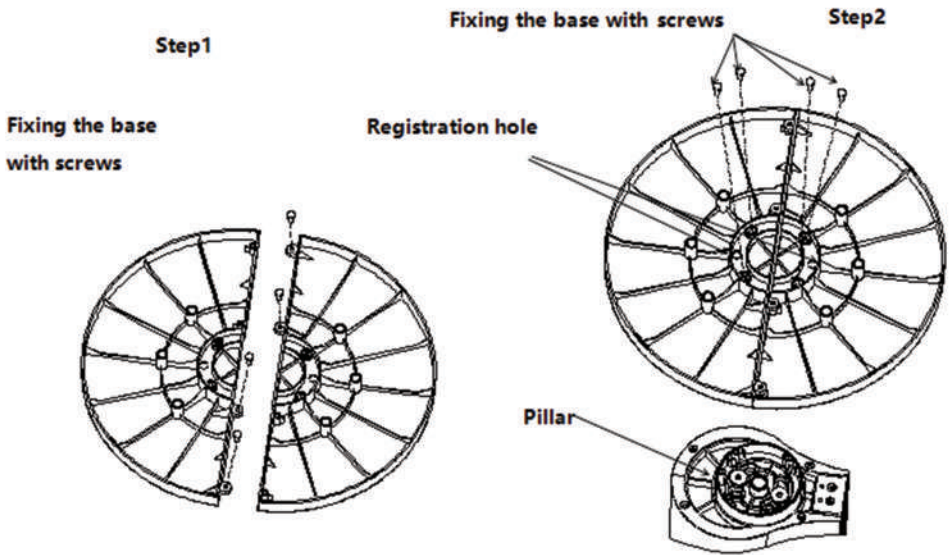


# CONTROL PANEL & REMOTE CONTROL





# BASE ASSEMBLY




## BEFORE USE

- Before use, remove all packaging and inspect the appliance for any damages. If there are appears to be any damages, please take back to place of purchase for a replacement.
- Ensure that all the accessories are included as per diagram above before you can continue with the installation.
- Ensure that the location of the heater installed is not directly under a power socket and that a power socket is available to power the appliances for use.

# OPERATING INSTRUCTIONS



Plug the unit in and turn on the main power switch at the back of the unit.

 Press the Standby button to turn on the unit, this will enter Low Heat Mode (1300W). Press again to turn off.


 Press once to activate High Heat (2000W). Press again to return to Low Heat (1300W)

 Press to increase the desired room temperature

 Press to decrease the desired room temperature.

- Temperature can be set between 10 - 49°C

- When the heater has reached the desired set temperature, the fan mode will continue to blow until the temperature has dropped to 2°C below the set temperature (the heater will automatically turn on the low heat setting, if the temperature drops 4°C below the set temperature the heater will automatically choose the high heat setting.)

 Press to activate oscillation. Press again to stop oscillation.

 Press until you reach the desired number of hours (up to 8hrs) before you want the heater to turn OFF.

**PLEASE NOTE:** When the heater has been turned off, the fan will continue to work for 30 seconds to cool the appliance.

**Note:** temperature set using the + / - buttons will not be reached if it is less than the current room temperature.

## **DISPLAY LIGHT**

After no manual operation after 10 minutes under the working condition of the product. All functions remain unchanged and the display turns off. Press any key, including remote control, to cancel.

**WARNING:** Before removing the plug from the socket, please switch off and allow the unit to blow cool for the 30 second period to protect inner parts.

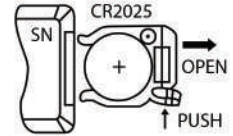
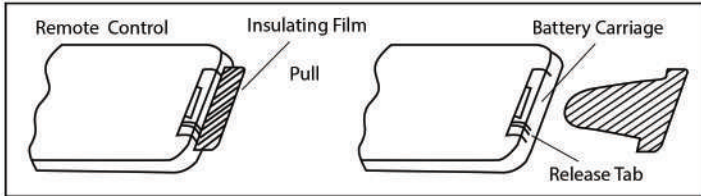
## **REMOTE CONTROL BATTERY**

The remote control requires 1 CR2025 3V lithium battery (not included)

Important: Follow the instructions of use and the recycle rules given on the battery packaging.

- Open the battery compartment by sliding the cover down.

- Insert the battery into the compartment, observing the polarity in the diagram (see below drawing).
- Close the battery compartment.



**WARNING:** Keep batteries out of reach of children. Swallowing may lead to serious injury or death in as little as 2 hours due to internal burns. If swallowed, go straight to a hospital emergency room. Dispose of used batteries immediately.



Danger if Swallowing

## OVERHEAT PROTECTION

This heater is protected with an overheat protection that switches off the appliance automatically in case of overheat, e.g. due to the total or partial obstruction of the grids. In this case, unplug the appliance, wait about 30 minutes for it to cool and remove the object which is obstructing the grids. Then switch it back on as described above. The appliance should operate normally. Should the problem persist, please contact the nearest customer service.

**NOTE:** To assist in maintaining the internal components, after pressing the OFF button the fan will continue to blow room air for a period of 30-60 seconds before shutting down to standby.

## **SAFETY FEATURES**

- In the event of abnormal overheating, a safety device shuts down the appliance automatically. After a short cooling down phase, the appliance is ready for use again.
- If you still notice the same defect as above mentioned, remove the plug from the socket and consult your authorized dealer to your after-sales service department.
- During use, do not touch or cover the air outlet. This may cause the unit to overheat, and the safety device to operate.
- The unit is also fitted with a tip over switch. Do not use on thick and long pile carpets, as the heater may not work, due the tip over switch not been activated.

## **CLEANING & MAINTENANCE**

- Your appliance must be switch OFF via the main power supply and unplugged before proceeding with any cleaning work.
- Clean the housing with a lightly damp cloth, a vacuum cleaner or a dusting brush.
- Never use flammable or abrasive cleaning agents such as benzene or spirit to clean the appliance.
- Never immerse the appliance in water!
- Clean the air inlet and outlet regularly with a vacuum cleaner.
- If the appliance is not used for an extended period it must be protected against excessive dust and dirt. Please dismount the heater and store in a dry place away from sunlight and dirt.

## SPECIFICATIONS

|                    |                      |
|--------------------|----------------------|
| Power Supply:      | 220-240V ~ 50Hz      |
| Power Consumption: | 2000W (High Setting) |
| Certifications:    | UKCA, CE, Rohs       |
| Net Weight:        | 3.4 kg               |
| Dimensions:        | 31 x 31 x 90 cm      |

## DISPOSAL OF THIS DEVICE



When the time comes to eliminate this product, please consider the environmental impact and take it to recognized recycling facility instead of disposing it with general household waste. Take the equipment to a waste disposal site. Plastic and metal parts that are used in the construction of this appliance can be separated into pure grade which allow recycling. Ask to your service center for details. Everyone of us can participate on the environmental protection.

## FIND US ONLINE



## Information requirements for electric local space heaters

| Model identifier(s): PM1570              |  |       |      |   |      |
|--|--|-------|------|---|------|
| Item                                     | Symbol   | Value | Unit | Item  | Unit |
| <b>Heat output</b>                       |  |       |      | <b>Type of heat input, for electric storage local space heaters only (select one)</b> |      |
| Nominal heat output                      | $P_{nom}$  | 2,0   | KW   | Manual heat charge control, with integrated thermostat                                | NA   |
| Minimum heat output (indicative)         | $P_{min}$  |       | KW   | manual heat charge control with room and/or outdoor temperature feedback              | NA   |
| Maximum continuous heat output           | $P_{max,c}$  |       | KW   | electronic heat charge control with room and/or outdoor temperature feedback          | NA   |
| <b>Auxiliary electricity consumption</b> |  |       |      | fan assisted heat output  | NA   |
| At nominal heat output                   | $el_{max}$   |       | KW   | <b>Type of heat output/room temperature control (select one)</b>                      |      |
| At minimum heat output                   | $el_{min}$   |       | KW   | single stage heat output and no room temperature control                              | NO   |
| In standby mode                          | $el_{SB}$  |       | KW   | Two or more manual stages, no room temperature control                                | NO   |
|  |  |       |      | with mechanic thermostat room temperature control                                     | NO   |
|  |  |       |      | with electronic room temperature control  | YES  |
|  |  |       |      | electronic room temperature control plus day timer                                    | NO   |
|  |  |       |      | electronic room temperature control plus week timer                                   | NO   |
|  |  |       |      | <b>Other control options (multiple selections possible)</b>                           |      |
|  |  |       |      | room temperature control, with presence detection                                     | NO   |
|  |  |       |      | room temperature control, with open window detection                                  | NO   |
|  |  |       |      | with distance control option  | NO   |
|  |  |       |      | with adaptive start control   | NO   |
|  |  |       |      | with working time limitation  | NO   |
|  |  |       |      | with black bulb sensor  | NO   |
| Contact details                          | Super Tech Health Ltd, 129 Shady Lane, Great Barr, Birmingham, B44 9ER<br>United Kingdom<br>01212709423 sales@puremate.co.uk |       |      |   |      |



**CERAMIC TOWER HEATER | Model No: PM1570**

Super Tech Health Limited  
129 Shady Lane  
Great Barr  
Birmingham  
West Midlands  
B44 9ER  
United Kingdom

**[WWW.PUREMATE.CO.UK](http://WWW.PUREMATE.CO.UK)**

© Copyright 2021