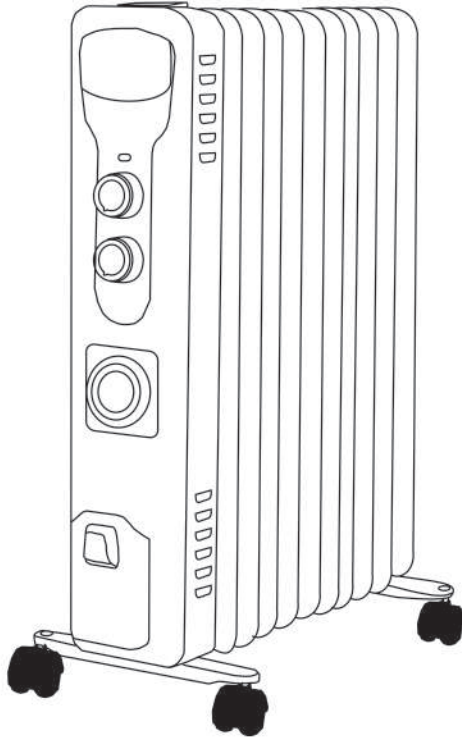




2500W Oil Filled Radiator



Model NO: PM811

INSTRUCTION MANUAL

This Product is only suitable for well insulated spaces or occasional use.

Thank You For Purchasing The Innovative Product the PUREMATE 2500W Oil Filled Radiator. We Wish You Many Years Of Healthy indoor Air With This Efficient and Effective Product.


SAFETY PRECAUTIONS

When using electrical appliances, basic safety Precautions should always be followed including the Following.

Read and Follow all Instructions Carefully:

PLEASE READ THE FOLLOWING INSTRUCTIONS CAREFULLY BEFORE USING THE APPLIANCE.

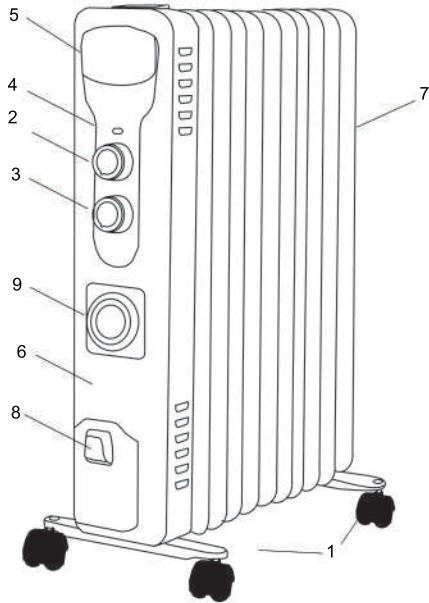
- Children of less than 3 years should be kept away unless continuously supervised.
- Children aged from 3 years and less than 8 years shall only switch on/off the appliance provided that it has been placed or installed in its intended normal operating position and they have been given supervision or instruction concerning use of the appliance in a safe way and understand the hazards involved. Children aged from 3 years and less than 8 years shall not plug in, regulate and clean the appliance or perform user maintenance.
- **CAUTION: Some parts of this product can become very hot and cause burns. Particular attention has to be given where children and vulnerable people are present.**

- If the supply cord is damaged, it must be replaced by the manufacturer, its Service agent or similarly qualified persons in order to avoid a hazard.
-  **WARNING:** In order to avoid overheating, do not cover the heater. The Meaning of figure in marking is “DO NOT COVER”.
- The heater must not be located immediately below a socket-outlet.
- Do not use this heater in the immediate surroundings of a bath, a shower or a Swimming pool.
- This appliance is only for household use.
- **WARNING:** Do not use this heater in small rooms when they are occupied by Persons not capable of leaving the room on their own, unless constant Supervision is provided.
- This heater is filled with a precise quantity of special oil. Repairs requiring Opening of the oil container are only to be made by the manufacturer or his service agent who should be contacted if there is an oil leakage. Regulations Concerning the disposal of oil when scrapping the appliance have to be Followed.
- DO NOT USE this heater if it has been dropped.
- DO NOT USE if there are visible signs of damage to the heater.

- Use this heater on a horizontal and stable surface, or fix it to the wall, as Applicable.
- **WARNING:** To reduce the risk of fire, keep textiles, curtains, or any other Flammable material a minimum distance of 1m from the air outlet.
- DO NOT attempt to repair, disassemble or modify the appliance. There are no User-Serviceable parts inside.
- **CAUTION:** If using an extension lead please ensure you do not exceed the Maximum rated running wattage/Load of the extension lead.
- Disconnect from mains when not in use or when moving or cleaning.
- The heater is hot when in use. To avoid burns, do not let bare skin touch hot Surface.
- Allow the heater to completely cool before handling or cleaning it.
- Ensure the heater is in the “0” OFF position and the power cord is unplugged From the electrical outlet before cleaning the heater.
- DO NOT allow water or other liquids to run into the interior of the heater, as this Could create a fire and/or electrical hazard.
- DO NOT use any abrasive cleaners or solvents, as heater damage will occur.

COMPONENTS

- ① Castor wheels
- ② Thermostat Dial
- ③ Power Switch Dial
- ④ Indicator Light
- ⑤ Carry Handle
- ⑥ Front Cover
- ⑦ Radiator Fins
- ⑧ Cord Storage
- ⑨ 24 Hour Timer

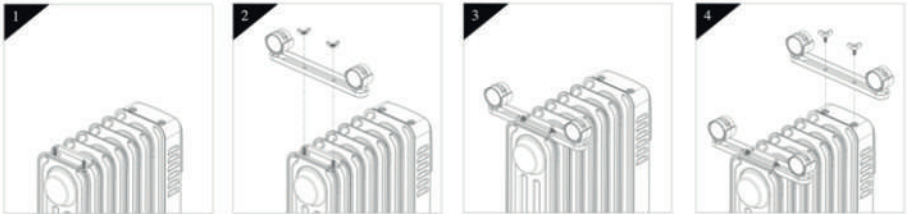


OVERHEAT PROTECTION: if the temperature of the heater Reaches to high, the thermostat will automatically switch Off the power and the heater will impede working. Once The heater has cooled, the heater can be used normally. This may occur during improper use or certain Enviroment conditions.

TIP-OVER PROTECTION: If the heater is knocked over or Tipped onto its side, the safety switch will automatically Disconnect power. Power will return to normal when the Unit has been placed upright onto a flat, even surface.

ASSEMBLY

1. Unpack the castor wheels and arc-shaped brackets from the heater packaging.
2. Turn the radiator upside-down on a scratch-free and stable surface to prevent Damage to the paint finish or your floor surfacing.
3. Fit the rear wheel base assembly into the fixed U-bolt, then screw the two wing nuts onto the U-bolt tightly (see Fig.2 - 3).
4. Fix the front wheel base assembly at the bottom of front panel by two screws (see Fig. 4).



5. Turn the radiator back upright once the castor wheels have been fitted.

CAUTION: Only operate the radiator when in its normal upright position with the Castor wheels fitted to the bottom of the unit.

OPERATING INSTRUCTIONS

1. Place the heater upright on a flat, steady and heat-resistant surface.
2. Turn the thermostat dial anti-clockwise to LOW and ensure the power switch is '0' OFF.
3. Insert the plug into a suitable socket.
4. Turn the power switch dial clockwise to the desired power:

'●'	Low Heat
'●●'	Medium Heat
'●●●'	High Heat

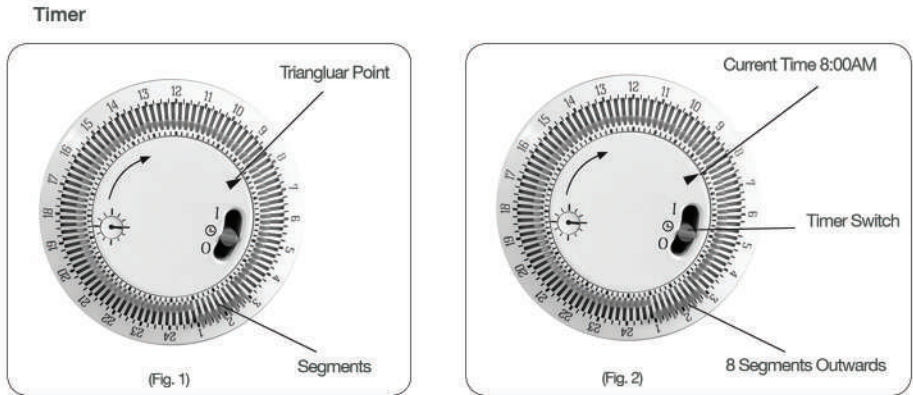
NOTE: Do not force knob beyond its normal stop position.

5. Turn the thermostat dial clockwise until you hear a click and the light turns on. Turning the thermostat clockwise will keep the radiator on until the room gets warmer. Turning it anti-clockwise will turn it off until the room has cooled to a Lower temperature and then it will switch on. The radiator automatically rotates through an on-and-off cycle to maintain the current room temperature according to the thermostat's setting. It is normal for it to heat up and cool down Periodically.

NOTE: IF THE HEATER DOES NOT TURN ON, ENSURE THE TIMER SWITCH IS SET TO 'I'.

6. To turn off the heater, turn the power switch dial anti-clockwise to "0" OFF .
7. Unplug the heater from the electrical outlet when it is left unattended or is not in use.

TIMER FUNCTION



The heater can be set to turn ON and OFF at the time you want. Before setting a timer, the clock must be set to the correct time. DO NOT turn the clock anti-clockwise. There are 96 segments around the dial - each representing 15 Minutes of the day.

SETTING THE TIMER

1. Plug in the heater.
2. Set the power and temperature to the desired setting.
3. Turn the dial clockwise to set the clock to the current time of the day.

- 4 . Push the segments outwards for the period you want the heater on. For Example, the diagram above shows the heater will turn on between 1AM to 3AM (Fig.2).
- 5 . Push the timer switch to the clock symbol.
- 6 . Once you have set the segments for the desired heating period, the heater will cycle on and off according to these settings.
- 7 . Once unplugged, the heater timer will stop and will need to be reset.

NOTE:

When you first use the heater, all 15 minute segments should be inwards. To Begin using the timer, push the segments outwards that represent the time of the day you want the heater to work. The heater will switch off again after That period has elapsed.

CLEANING TIPS

- Clean the exterior surface of the heater by wiping it with a soft, damp cloth.
- Store the heater in a clean, dry place when it is not in use.

CAUTION

- Allow the heater to completely cool before handling or cleaning it.
- Ensure the heater is in the “0” OFF position and the power cord is unplugged From the electrical outlet before cleaning the heater.

- DO NOT allow water or other liquids to run into the interior of the heater, as this Could create a fire and/or electrical hazard.
- DO NOT use any abrasive cleaners or solvents, as heater damage will occur.

SPECIFICATION

MODEL:	PM 811
RATED VOLTAGE:	220-240V~ 50Hz
POWER CONSUMPTION:	1000W (Low Setting), 1500W (Medium Setting), 2500W (Highest Setting),
Certifications:	UKCA , CE , Rohs
Warranty:	1 Year
DIMENSIONS (L X W X H):	47.8 (L) X 25 (W) X 62.5 (H) CM
NET WEIGHT:	10. Kg
GROSS WEIGHT:	11.5 Kg

DISPOSAL OF THIS DEVICE



At the end of the product life cycle, you should not throw this machine into the normal household garbage but bring the product to a collection Point for the recycling of electrical and electronic equipment.

FIND US ONLINE



Model identifier(s): PM 811					
Item	Symbol	Value	Unit	Item	Unit
Heat output			Type of heat input, for electric storage local space only (select one)		
Nominal heat output	P _{nom}	2.5	kW	Manual heat charge control, with integrated thermostat	No
Minimum heat output(indicative)	P _{min}	1.0	kW	Manual heat charge control with room and/or outdoor temperature feedback	No
Maximum continuous heat output	P _{max,c}	2.5	kW	Electronic heat charge control with room and/or outdoor temperature feedback	No
Auxiliary electricity consumption			Fan assisted heat output		
At nominal heat output	e _{lmax}	N/A	kW	Type of heat output/room temperature control (select one)	
At minimum heat output	e _{lmin}	N/A	kW	Single stage heat output and no room temperature control	No
In standby mode	e _{lSB}	0.00025	kW	Two or more manual stages, no room temperature control	No
			With mechanic thermostat room temperature control		
			With electronic room temperature control		
			Electronic room temperature control plus day timer		
			Electronic room temperature control plus week timer		
			Other control options (multiple selections possible)		
			Room temperature control, with presence detection		
			Room temperature control, with open window detection		
			with distance control option		
			with adaptive start control		
			with working time limitation		
			with black bulb sensor		
Contact details	Super Tech Health Ltd, 129 Shady Lane Birmingham B44 9ER, United Kingdom				



2500W Oil Filled Radiator | MODEL NO-PM 811

Super Tech Health Limited
129 Shady Lane
Great Barr
Birmingham
West Midlands
B44 9ER
United Kingdom

WWW.PUREMATE.CO.UK

© Copyright 2023
