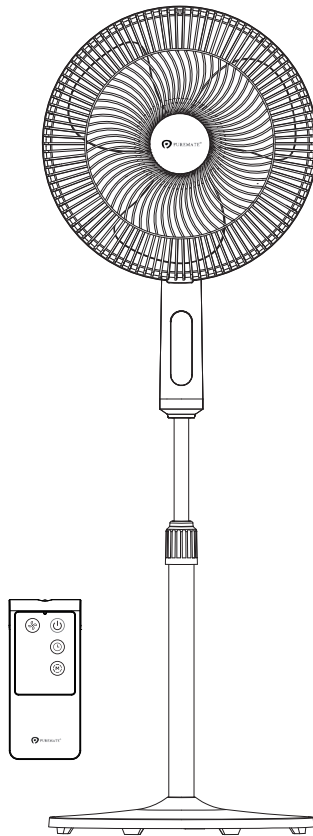




# 16 Inch Oscillating Pedestal Fan

MODEL NO: PM 716






## INSTRUCTION MANUAL

## **⚠ WARNING!**

Ensure that all safety precautions are followed when using electrical appliances for the proper operation of the device. This instruction booklet describes the safety precautions to be observed during operation to prevent injuries to yourself, other persons and damage to the device. The content not only is suitable for this product but also suitable for electrical appliances in general

Do Not Use This Pedestal Fan Until You Have Read This Entire Manual Thoroughly and Keep in a safe place for future reference.

## **SYMBOLS EXPLAINED**

	For indoor use only.		Please read instruction manual and retain for future use.
	Equipment complies with the applicable EU safety requirements and regulations.		

## **IMPORTANT!**

Do Not Use This Pedestal Fan Until You Have Read This Entire Manual Thoroughly and Keep in a safe place for future reference.

This product is only suitable for well insulated spaces or occasional use.

# **THANK YOU**

F O R B E I N G O U R C U S T O M E R

Thank you for purchasing the innovative product the PureMate 16 inch oscillating Pedestal Fan. We wish you many years of healthy air with this efficient and effective product.

# **SAFETY OPERATION**

- Ensure that all safety precautions are followed when using electrical appliances for the proper operation of the safety device. This instruction booklet describes the safety precautions to be observed during operation to prevent injuries to yourself, other persons and damage to the device. The content not only is suitable for this product but also electrical appliances in general.

# **SAFETY INSTRUCTION**

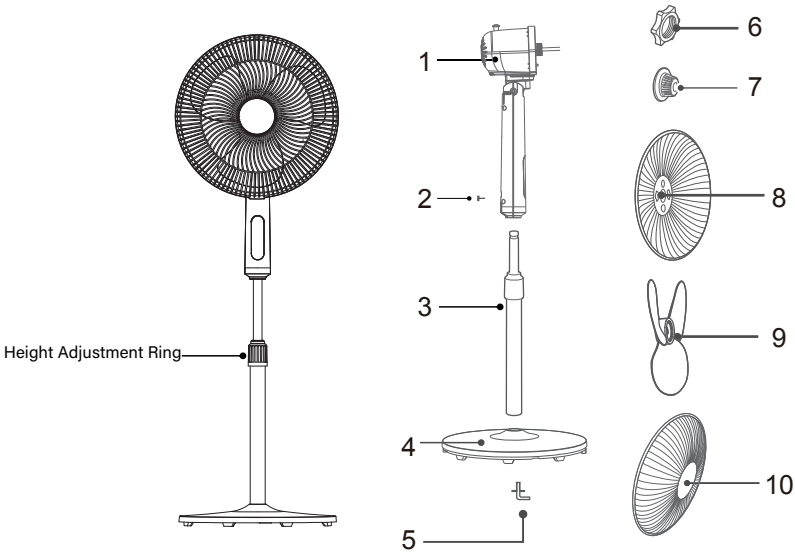
- To avoid fire or shock hazard, plug the appliance directly into a 220-240V AC electrical outlet.
- Disconnect the power plug before dismantling, assembling or before cleaning.
- Keep unit away from heated surfaces and open flames.
- To protect against electrical hazards, DO NOT immerse in water or other liquids. Do not use near water.
- Children cannot recognize the hazards associated with the usage of electrical appliances. For this reason, always supervise children when they are near the unit.
- Always unplug the tower fan before moving, cleaning or whenever the pedestal fan is not in use. Be sure to pull by the plug and not the cord.
- NEVER drop or insert any object into any openings.

- DO NOT run cord under carpeting. DO NOT use outdoors.
- DO NOT cover cord with throw rugs, runners, or similar coverings.
- DO NOT route cord under furniture or appliances. Arrange cord away from traffic area and where it will not be tripped over.
- DO NOT operate any appliance with a damaged cord or plug, if motor fan fails to rotate, after the appliance malfunctions, or if it has been dropped or damaged in any manner. Please Call Customer Service for assistance.
- DO NOT attempt to repair or adjust any electrical or mechanical functions on this unit. Doing so will void your warranty. The inside of the unit contains no user serviceable parts. All servicing should be performed by qualified personnel only.
- Do not operate the appliance with wet hands, in order to avoid damage.
- DO NOT knock or shake the body of the pedestal fan when in use, otherwise it may cause the item to stop.
- NEVER insert fingers, pencils or any other objects through the guards.
- DO NOT use the appliance for any other purpose than its intended use.
- The fan must not be used if the casing is damaged or open.

# NOTE

Pictures in the manual are for reference only, and the product depends on real objects in the packing box.

## COMPONENTS



**1** Motor

**2** Tighten Knob

**3** Pole

**4** Chassis

**5** 7-shaped screw

**6** Plastic Nut

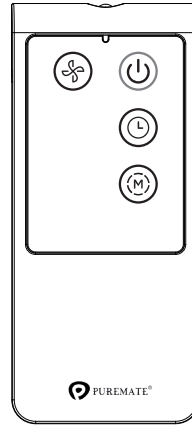
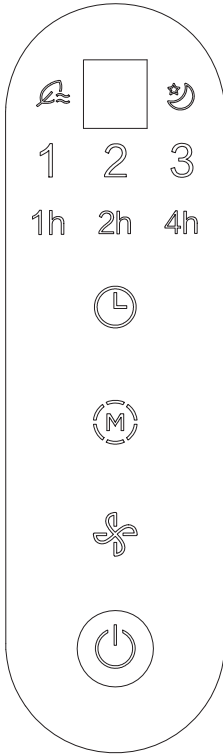
**7** Spinner

**8** Rear Grille

**9** Blade

**10** Front Grille

# CONTROL PANEL AND REMOTE



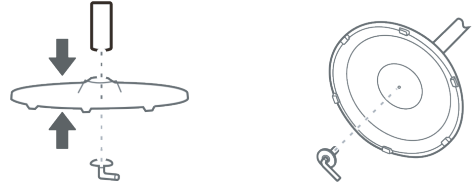
## ASSEMBLY INSTRUCTIONS

### NOTE

Before assembly, first remove the 7-shape screws for the pole, remove the spinner and plastic nut from the motor shaft.

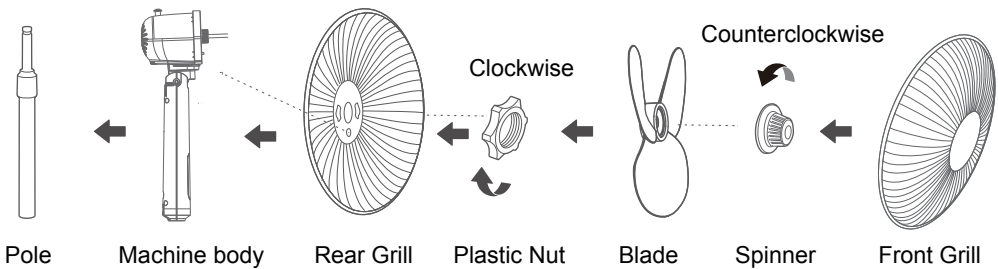
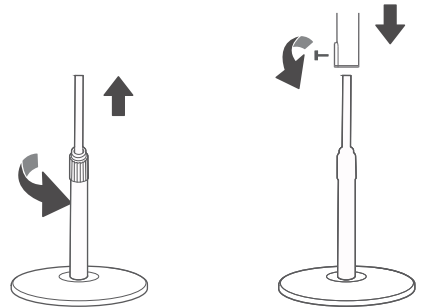
## 1. Chassis installation

Align the lower pole and the chassis, and then fasten securely with chassis screws.



## 2. Pole installation

2.1 Pull out and fix the internal pole (column) after adjusting the height by way of tightening or loosening the knob.  
2.2 Install and fix the machine body by way of tightening or loosening tighten knob.



## 3. Installation of Rear Grill:

Align the holes of rear grill with the protruded points on the motor housing.

#### 4. Installation of Plastic Nut:

Screw clockwise the plastic nut tightly to fasten the rear grill.

#### 5. Blade installation:

After the installation of blade, rotate the blade with your finger to make sure the blade works normally.

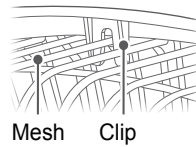
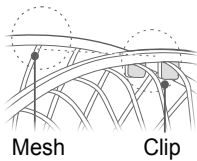
#### 6. Spinner installation:

Screw counterclockwise the spinner tightly, and then install the front grill.

#### 7. Installation of Front Grill

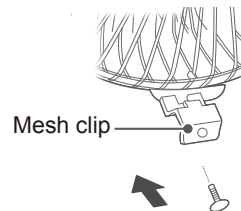
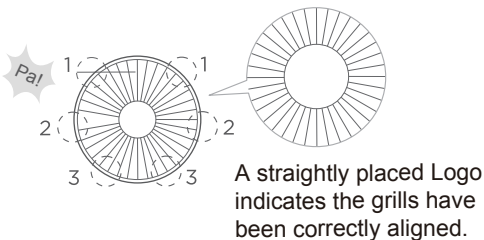
7.1 From top to bottom align the clips of the front grill with the uppermost mesh of the rear grill.

After the alignment is correct, look from back to front according to the diagram.



7.2 Press the grills in order with both hands. A sound of "click" will be heard when installed right.

7.3 Self-clipped installation





# OPERATING INSTRUCTIONS

## “” ***Turns the fan ON/OFF***

- Press to turn the fan on. The fan will start at low speed.
- Press again to turn the fan off.

## “” ***Press to adjust between 3 fan speeds***

- Low
- Medium
- High.

## “(M)” ***Press to choose between 3 different modes***

- NORMAL MODE: Fan will blow at any speed you select.
- NATURAL MODE: Fan will start cycle through 3 speeds and starting at speed 1-2-3-2-cycle. In natural wind mode, the fan simulate the natural wind and adjust the wind speed alternately.
- SLEEP MODE: In sleep wind mode, the fan automatically adjusts the speed according to preset program ,making the wind speed more suitable for the human body. If choose speed 1, the fan will work in speed 2 for 30 minutes then turn to speed 1 and work continuously. If choose speed 2 , the fan will work in speed 3 for 30minutes then turn to speed 2 for 30 minutes then turn to speed 1 and work continuously.

- Ⓕ Press the timer button to select the amount of time which you would like the device to run 1 – 7 hours, before it stops automatically.

Time (H)	lamps
1	1h
2	2h
3	1h/2h
4	4h
5	1h/4h
6	2h/4h
7	1h/2h/4h

For example, if the fan operation is required to be set for 7 hours, press the timer repeatedly so that the display for 1, 2 and 4 hours illuminate together. The set time is  $1+ 2+ 4= 7$ hours.

## Oscillation

Push down the clutch knob located on the top of the motor housing to start oscillation.

Pull up the clutch knob to stop the oscillation.

## Tilt Adjustment

To adjust the airflow upwards or downwards, lightly push the grilles  in the desired direction.

## Height Adjustment

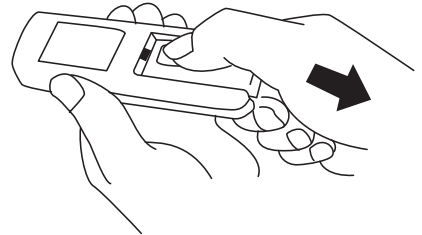
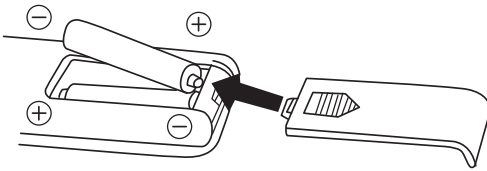
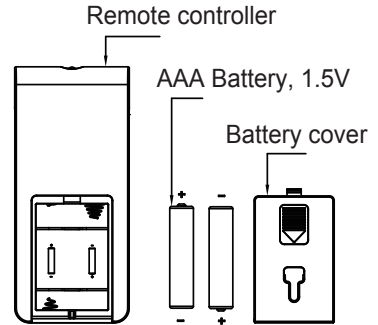
To adjust the height of the fan, loosen the height adjustment ring. Then carefully raise or lower the fan via the pole. Firmly re-tighten the height adjustment ring as the desired height.

# Battery Installation/Replacement

1. Press down on the battery compartment cover and slide it out. the clutch knob up to its initial position.

2. Insert the batteries, making sure that the positive terminals are facing the proper way.

3. Replace the cover.  
Use manganese or alkaline batteries of type "AAA".  
Do not use rechargeable batteries.



1. "Do not dispose of batteries in fire, batteries may explode or leak."

2. Do not mix old and new batteries.

3. Do not mix alkaline, standard (carbon-zinc) or rechargeable (nickel-cadmium) batteries.

# WARRANTY & SERVICE

Items purchased directly with PureMate, or one of our approved resellers, you will automatically register your warranty for 1 (ONE) year. You do not require to register again for your warranty. All warranties will execute our terms and conditions you will find these via our website at



**[www.puremate.co.uk](http://www.puremate.co.uk)**

Description	Symbol	Value	Unit
Maximum fan flow rate	F	42,02	m <sup>3</sup> /min
Fan power input	P	34,4	W
Service value	S <sub>v</sub>	1,22	(m <sup>3</sup> /min)W
Standby power consumption	P <sub>SB</sub>	0,21	W
Off power consumption	P <sub>OFF</sub>	—	W
Fan sound power level	L <sub>WA</sub>	56,22	dB(A)
Maximum air velocity	C	3,16	meters/sec
Seasonal electricity consumption	Q	11,24	kWh/a
Measurement standard for service value	EN IEC 60879:2019		

# SPECIFICATION

Model : PM- 716  
Rated Voltage : 220-240V~50Hz  
Power Consumption: 40W  
Product size: 452x400x1400mm  
Net Weight: 5.63 Kg  
Certifications: UKCA, CE, Rohs  
Warranty: 1 Year

# DISPOSAL OF THE DEVICE

	Waste Electrical and Electronic Equipment ( WEEE )	This symbol on the product and/or packaging indicates that Waste Electrical product ( WEEE ) under Directive 2012/19/ EU which governs used electrical and electronic appliances, should not be disposed of with general household waste.
	The Mobius Loop	This symbol indicates that the product or packaging is capable of being recycled.

# FIND US ONLINE





**16 inch oscillating Pedestal Fan | MODEL NO: PM-716**

Super Tech Health Limited  
129 Shady Lane  
Great Barr  
Birmingham  
West Midlands  
B44 9ER  
United Kingdom

**[WWW.PUREMATE.CO.UK](http://WWW.PUREMATE.CO.UK)**

© Copyright 2021