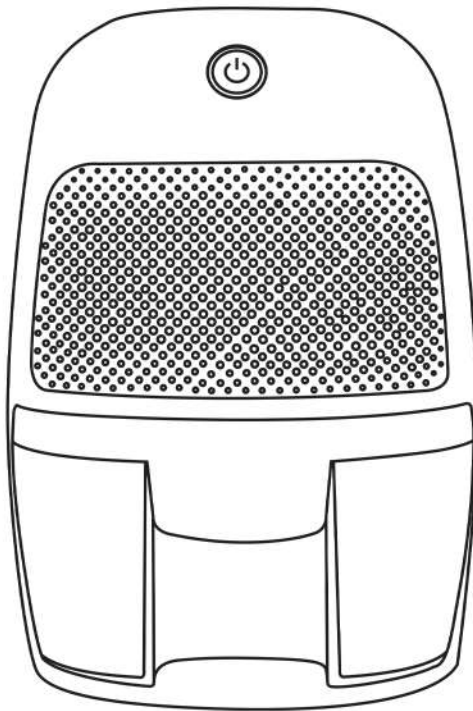




# MINI DEHUMIDIFIER

MODEL NO: PM 405



## INSTRUCTION MANUAL

---

---

---

---

Thank you for purchasing the innovative PureMate MINI DEHUMIDIFIER PM405 ,kindly read the instruction manual carefully before using the machine. We wish you healthy indoor air with this efficient and effective product.

## **SAFETY PRECAUTIONS**

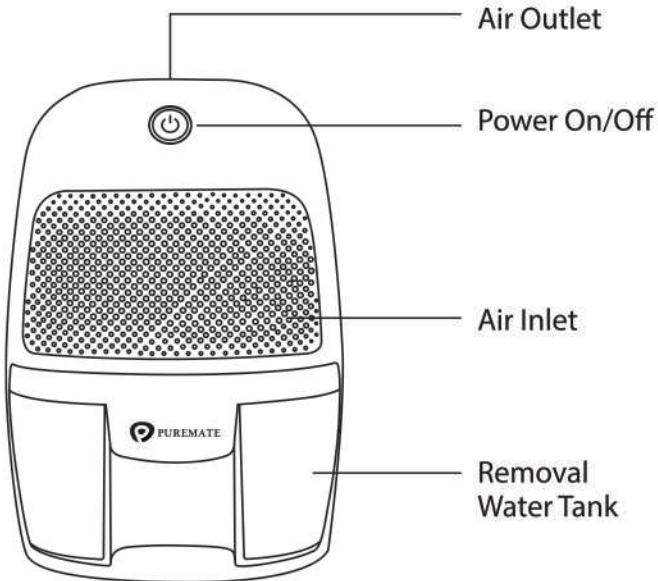
Ensure that all safety precautions are followed when using electrical appliances for the proper operation of the device. This instruction booklet describe the safety precautions to be observed during operation to prevent injuries to yourself, other persons and damage to the device. The content not only is suitable for this product but also suitable for electrical appliances in general.

- The appliance is only to be used with the power supply unit provided with the appliance.
- To avoid electric shock, do not open. There are no user serviceable parts inside.
- Do not use around heated surfaces, open flames or flammable substances.
- Do not immerse in water or other liquids.
- Do not use the appliance for any other purpose than its intended use, as described in the manual.
- Keep the front inlet grill and the top outlet grill clear at all times, do not cover with clothing, plastic bags, etc.
- After you have finished using the mini dehumidifier, turn off the dehumidifier.

- Avoid using the mains power adaptor in wet or damp places. Position the unit in areas where air ventilation is good.
- Always keep the unit in an up-right position to avoid water leakage.

## **FEATURES**

The mini dehumidifier uses Peltier technology (no compressor), which makes it light and quiet and perfect for small rooms. Poor ventilation can cause musty odours and mould the mini dehumidifier eliminates this problem by keeping small spaces free of unwanted moisture.



## **OPERATING INSTRUCTIONS**

- Plug the DC power jack of AC/DC power adaptor to the DC power socket (at back of the dehumidifier), then connect the AC plug of the AC/DC power adaptor to the appropriate wall mains socket.
- Press the power switch, the mini dehumidifier will begin to operate, the Green LED will illuminate. To switch off the unit, press power switch again.
- When the water tank is full, the unit will automatically shut off and the Red LED will illuminate.

**THE AC/DC POWER ADAPTOR MAY BECOME HOT DURING USE, THIS IS NORMAL AND DOES NOT MEAN THERE IS A FAULT.**

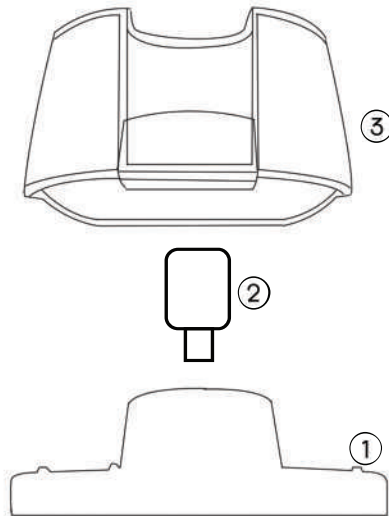
## **REMOVING THE WATER TANK**

- When the water tank is full, with approximately 500ml of water collected, the unit will automatically shut off and the Red LED will illuminate.
- To remove the water tank, first switch off the mini dehumidifier. Then, remove the water tank from the unit and pour the water into a sink or drain. Put the water tank back into the unit. To continue dehumidifying, press the "On/Off" button again.

## HOW TO (RE)INSTALL YOUR WATER TANK COVER

After cleaning your water tank,

- Turn the tank cover over and place it on a flat surface.
- Insert the float into the cover's aperture.
- Place the water tank over the cover, and press in smoothly.
- Replace water tank into Dehumidifier.



## CLEANING & MAINTENANCE

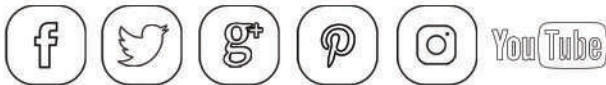
**Before cleaning the unit, turn off the mini dehumidifier and unplug the AC/DC socket first.**

- Use a soft cloth to clean the surface of the unit and a soft bristled brush to remove dust from the air inlet and outlet grills,

**Important: The Water Tank Cover is detachable for cleaning purposes only.**

- Dispose of the collected water and rinse and wipe the inside of the tank.
- After cleaning, place the cover and floating ball back into the dehumidifier.

## FIND US ONLINE



## **WARRANTY & SERVICE**

This product is covered with PureMate product and labour warranty for 12 months from the date of its original purchase. If any problems occur, please contact the PureMate Customer Care Centre in your country via the contact information listed in this User Guide. We can only provide after sales service for products that are sold by PureMate or PureMate authorized retailers and distributors. If you have purchased your unit from a different place, please contact your seller for return and warranty issues.

## **SPECIFICATION**

Model	: PM405
Power Supply	: Input 100-240V,50/60Hz Output: 9V DC/ 2.5A
Moisture Removal	: 300ml/24hr (under test condition 30°C,85%
Cooling element	: Thermo electric Peltier module
Water Tank Volume	: 600ml
Product Dimension	: 15.4 x 21.8 x 13 cm
Certifications	: UKCA , CE , Rohs
Item Weight	: 1.1 kg
Auto Shutoff	: Yes
Warranty	: 1 YEAR

## **DISPOSAL OF THIS DEVICE**



At the end of the product life cycle, you should not throw this machine into the normal household garbage but bring the product to a collection Point for the recycling of electrical and electronic equipment.



**MINI DEHUMIDIFIER | MODEL NO-PM 405**

Super Tech Health Limited  
129 Shady Lane  
Great Barr  
Birmingham  
West Midlands  
B44 9ER  
United Kingdom

**[WWW.PUREMATE.CO.UK](http://WWW.PUREMATE.CO.UK)**

© Copyright 2021