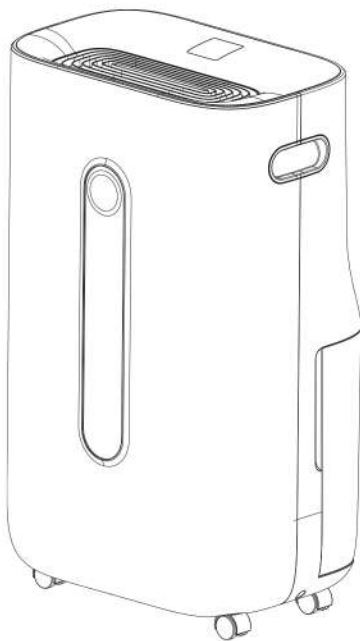




20L Dehumidifier

Model No: PM 420



INSTRUCTION MANUAL

Thank you for purchasing the innovative PureMate 20L Dehumidifier PM 420. We wish you many years of healthy indoor air with this efficient and effective product.

SAFETY GUIDELINES

- Always use the appliance only on the voltage specified.
- Never immerse the product or power cable with water or other liquids.
- Do not leave the appliance unattended around children.
- Do not insert any objects or fingers into any openings.
- Do not use around heated surfaces, open flames, flammable substances or in direct sunlight.
- Please ensure the dehumidifier is set to off when the unit is not in use.
- Please turn off and unplug the appliance before cleaning or maintenance.
- Do not operate if there are signs of damage to the cord, plug or appliance. Do not attempt to repair or adjust any electrical or mechanical functions on this unit.

Please Call Customer Service for assistance.

- Never tilt, move, or attempt to empty tank while it is operating. Ensure the dehumidifier is in an upright position.
- Never cover or restrict airflow to the dehumidifier whilst in use.
- Dispose of collected water, this is not suitable for drinking.
- When the appliance is not in use for a prolonged period, please turn it off, unplug it, pack it well, and store it in dry cool place. Please ensure water tank is always emptied before storing the dehumidifier.
- Do not run cord under throw rugs, runners, or similar coverings. Arrange cord away from traffic area and where it will not be tripped over.
- Do not use the appliance for any other purpose than its intended use, as described in the manual.
- This dehumidifier is for indoor use only. Do not use outdoor.
- Avoid the use of extension cables to prevent risk of overheating and fire risk.

- This dehumidifier may be utilized by children aged from 8 years and over and individuals with reduced physical, sensory or mental capabilities or lack of experience and knowledge how ever they must have be supervised or instructed concerning use of the appliance in a safely and understand the hazards involved.
- Do not by any means attempt to accelerate the appliances defrosting process.
- Ensure to follow the cleaning process detailed by the manufacturer. Do not attempt to clean in any other way.
- Do not pierce, incinerate or cause damage to the appliances container of refrigerant tubing.
- Be aware that refrigerants may not contain any odour.
- The maximum refrigerants charge amount is 60g.
- In the rare occurrence the unit should malfunction, do not attempt any repairs. All repairs are required to be taken out by a professional.

Please Contact PureMate Customer Services.



Caution, risk of fire



CAUTION

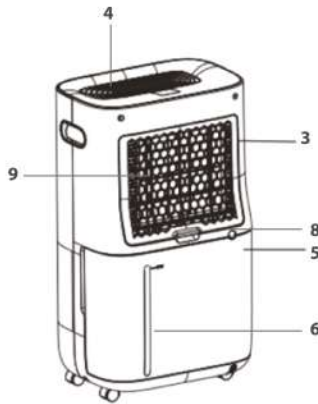
Do not use appliance at temperatures below 5°C, to prevent the possibility of a heavy ice up of the evaporating coil!

PLACEMENT

When positioning the dehumidifier, ensure it is placed on a level surface and there is a minimum of 20 cm of space on the sides and behind of the unit to allow for efficient airflow. The dehumidifier is fitted with castor wheels for extra ease of mobility. Please ensure the unit is turned off and the water tank is emptied before moving the unit. When the dehumidifier is in use, outside doors and windows should be closed when necessary for most efficient use.



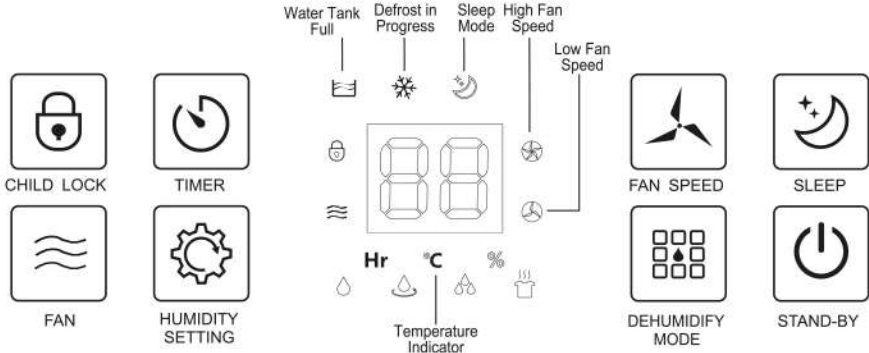
COMPONENTS



- 1. Control Panel & Digital Display
- 2. Handle
- 3. Air Inlet
- 4. Air Outlet
- 5. Water Tank

- 6. Water Level Display
- 7. Castor Wheels
- 8. Continuous Draining Hose Connection
- 9. Filter
- 10. Humidity Indicator Light

CONTROL PANEL



OPERATING INSTRUCTIONS FOR USE



STANDBY BUTTON: Press to turn ON/OFF the dehumidifier.



HUMIDITY SETTING: Set the desired relative humidity level between 30%-80% during normal dehumidification mode. The '%' indicator light will flash when changes are being made. The dehumidifier will turn off when the room reaches this target RH%

To see the current room temperature press and hold humidity setting button for 5 seconds until the temperature indicator light is on.



DEHUMIDIFY MODE: Select between Normal, Continuous, High-power and Dryer Modes




NORMAL MODE: Allows manual setting of both fan speed and desired humidity level.




CONTINUOUS MODE: Automatically sets the fan to low speed and the dehumidifier will run continuously. Set humidity level is disabled.




HIGH-POWER MODE: Automatically sets the fan to high speed and the dehumidifier will run continuously. Set humidity level is disabled.

 **DRYER MODE:** For use when drying clothing and upholstery. The dehumidifier will run continuously. Set humidity level is disabled.

 **FAN SPEED:** Choose between  Low and  High fan speed when in Normal Mode and Fan Mode.

 **TIMER:** Set the Timer to turn the unit on or off, between 1-24 hours.

- Set the Dehumidifier to turn ON: When the dehumidifier is off, press the timer button until you reach the desired number of hours before you want it to turn on.
- Set the dehumidifier to turn OFF: When the dehumidifier is on, press the timer button until you reach the desired number of hours before you want it to turn off.

 **CHILD LOCK:** Press and hold the button for 3 seconds to lock all controls. Press and hold the button for 3 seconds to disable the child lock.

 **FAN:** Turn off the dehumidifying function and circulates the air.

 **SLEEP:** Press to turn off the display lights, the unit will continue to work.

 **DEFROSTING LIGHT:** Indicates the unit is defrosting.

- The unit may need defrosting in temperatures less than 23°C, this will happen automatically and last around 5 minutes. Please do not unplug or turn the unit off whilst in defrost.

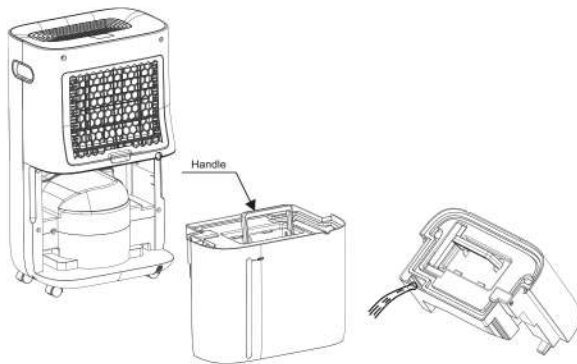
HUMIDITY INDICATOR LIGHT:

- **Red:** Humidity level is greater than 70%
- **Green:** Humidity level is between 50%-70%
- **Blue:** Humidity level is less than 50%

REMOVING AND EMPRTING THE WATER TANK

When the water tank full indicator illuminates and the dehumidifier beeps. The unit will automatically stop. Press the standby button before removing the water tank.

1. Gently pull the water tank out from the back of the dehumidifier.
2. Use the handle to lift, tilt and empty the water tank.
3. Once empty, insert the water tank into the correct position.



PLEASE NOTE: Your dehumidifier will not operate when the water is full of water or it is not set properly.

CONTINUOUS DRAINING

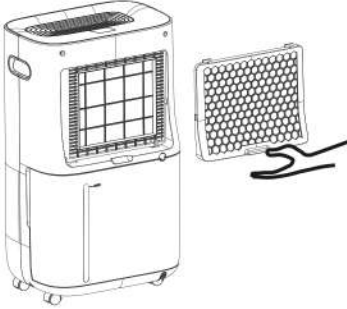
1. Remove water tank
2. Connect the drain hole with hose.
3. Ensure the water will always drain freely and the tube will remain in place.
4. Ensure the hose end has a suitable drainage outlet (e.g.bucket/drain)
4. Insert the water tank into the correct position.

CAUTION: DO NOT PLACE CONTINUOUS DRAINAGE HOSE OUTSIDE IN TEMPERATURES BELOW 1°C

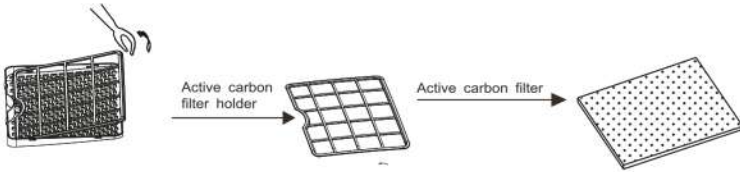
CLEANING & MAINTENANCE

Cleaning the Filters:

- Remove the back cover from dehumidifier.



- Remove excess dust by patting lightly or vacuuming with brush.
- If excessively dirty, remove the carbon filter. Please wash with the back grid and filter cover with warm soapy water and rinse.



WARRANTY & SERVICE

This product is covered with PureMate product and labour warranty for 12 months from the date of its original purchase. If any problems occur, please contact the PureMate Customer Care Centre in your country via the contact information listed in this User Guide. We can only provide after sales service for products that are sold by PureMate or PureMate authorized retailers and distributors. If you have purchased your unit from a different place, please contact your seller for return and warranty issues.

SPECIFICATION

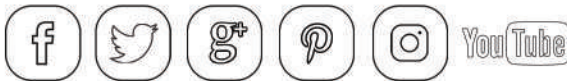
Model:	PM 420
Power supply:	220 to 240V~50Hz
Power Consumption:	420W [High Setting]
Net Weight:	14.5 kg
Certifications:	UKCA , CE , Rohs
Dimensions:	34 x 24 x 57 CM
Room Temperature:	5°C - 32°C
Water Tank Capacity:	6.5 L
Warranty:	1 Year

DISPOSAL OF THIS DEVICE



At the end of the product life cycle, you should not throw this machine into the normal household garbage but bring the product to a collection point for the recycling of electrical and electronic equipment.

FIND US ONLINE





20L Dehumidifier | **Model NO: PM 420**

Super Tech Health Limited
129 Shady Lane
Great Barr
Birmingham
West Midlands
B44 9ER
United Kingdom

WWW.PUREMATE.CO.UK

© Copyright 2021